

MGB Plastic

Large refuse container with flat lid

ssi-plastic.com



SSI SCHÄFER

MGB Plastic With Flat Lid

660 - 1,100 Liter

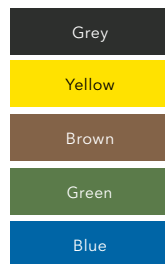
Standard version

- Made by compact injection moulding with High Density Polyethylene (HDPE) in accordance with DIN EN 840
- Wheels: solid rubber tyres, individual swivel wheels of 200 mm diameter, with wheel stop
- Ergonomically fitted handles for comfortable handling
- Compatible with all common standardised vehicle mounted lifting devices made in conformity to EU guidelines
- Prepared for the fitting of chips for identification and weighing
- With water drain hole
- Easy handling and safe functioning in accordance with DIN EN 840-6

Extras

- Wheel lock for central locking device
- Foot pedal lid opener
- Various locking systems available
- Wheel with rim made of steel and plain bearing
- Polyamide wheel
- Towing attachment and towbar for narrow and long side
- Fork lift pockets
- Different lid variations available
- Individual bin markings possible

Standard colours

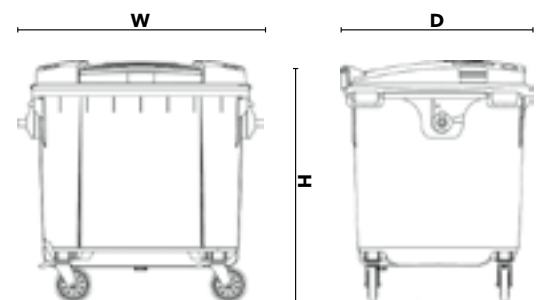


Further lid colours on request



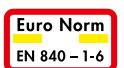
MGB plastic with flat lid	660 l	770 l	1,100 l
Width mm (W)	1,370 ± 10	1,370 ± 10	1,370 ± 10
Height mm (H)	1,250 max.	1,370 max.	1,470 max.
Depth mm (D)	780 max.	800 max.	1,115 max.
Nominal volume l	660 ± 5%	770 ± 5%	1,100 ± 5%
Payload kg	264	308	440
Wheel - Ø mm	200	200	200

All dimensions are nominal in accordance with DIN EN 840.



ssi-plastic.com

2023/06/EN © SSI SCHÄFER Plastics
We assume no liability for printing errors.



SSI SCHÄFER